

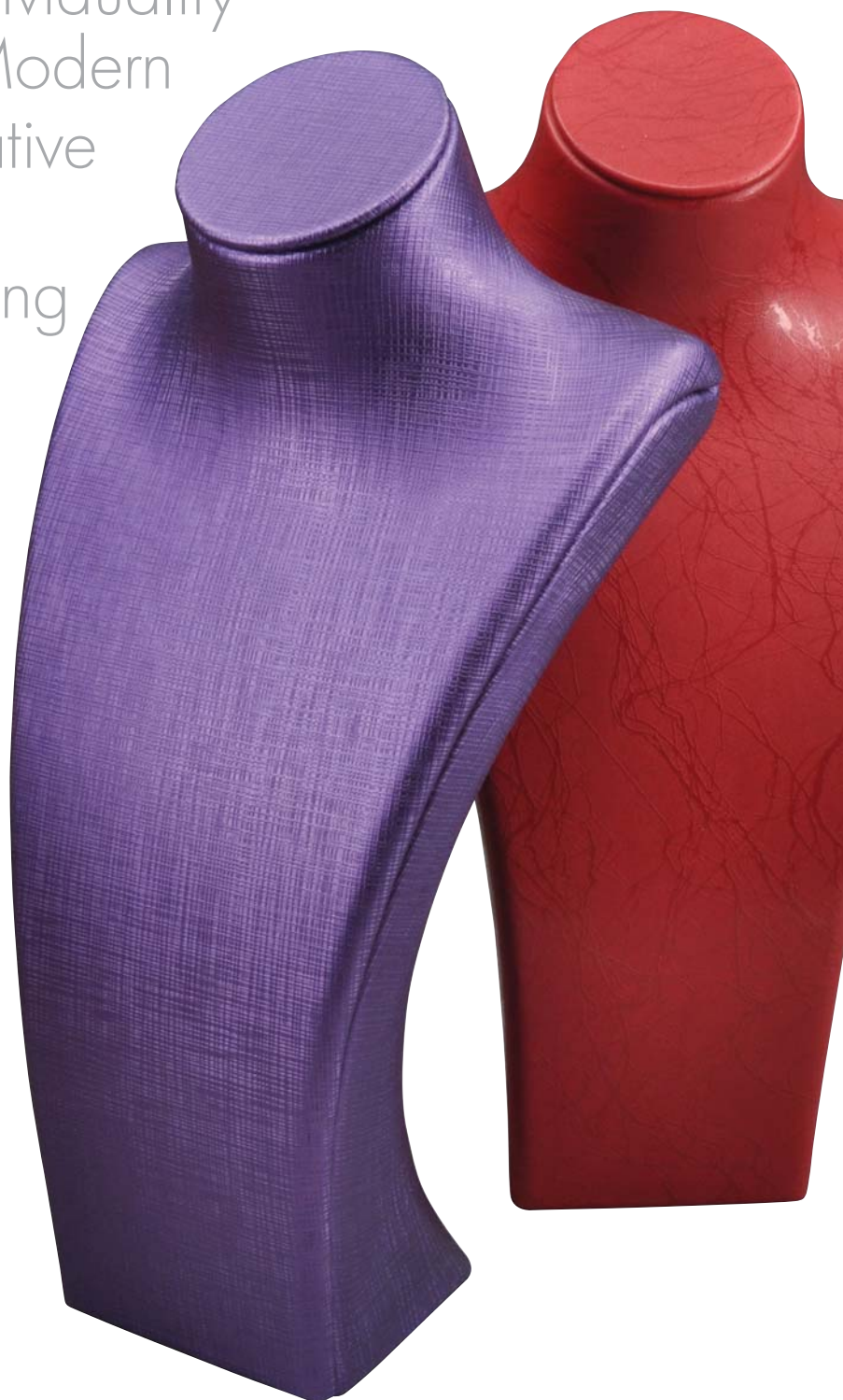
Australian Made **ayres**

Display Range

February 2018

Hundreds of colour and texture combinations.

Quality Choice Alluring Durable
Individuality
Leading Modern
Elegant Decorative
Variety
New Stunning
Stylish
Beautiful
Enduring
Strong



Kenneth Ayres (Aust.) Pty. Ltd.

www.ayres.com.au

Ph: (03) 9460 8466

Fax: (03) 9460 5608

Email: sales@ayres.com.au

ACN 005 724 489

ABN 94 005 724 489

Australian Made Display Range

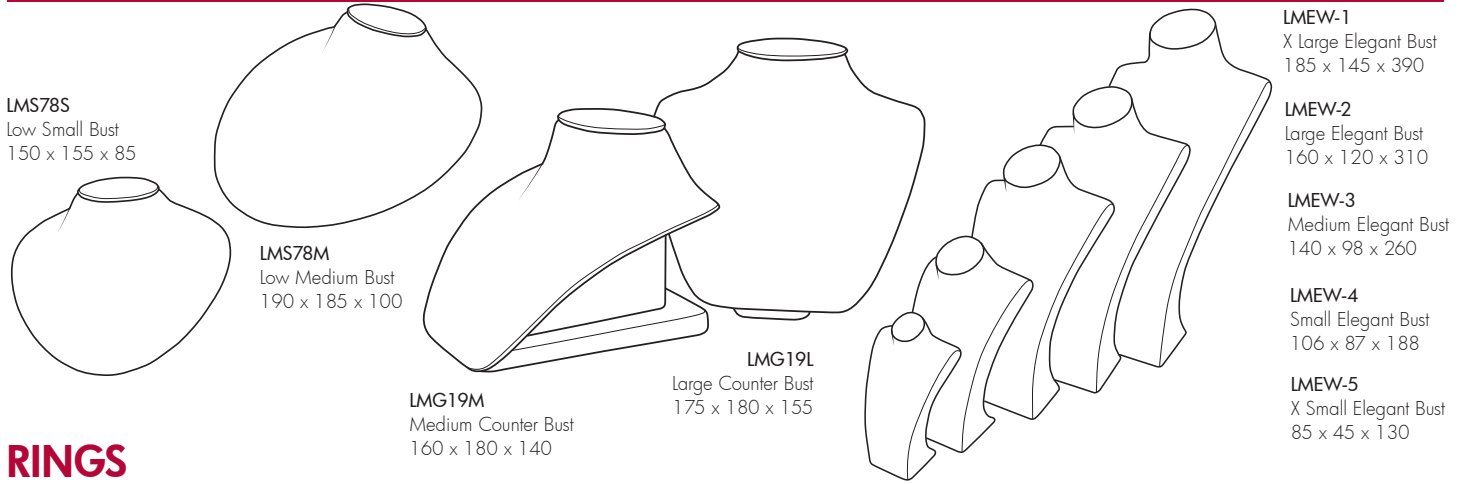


February 2018

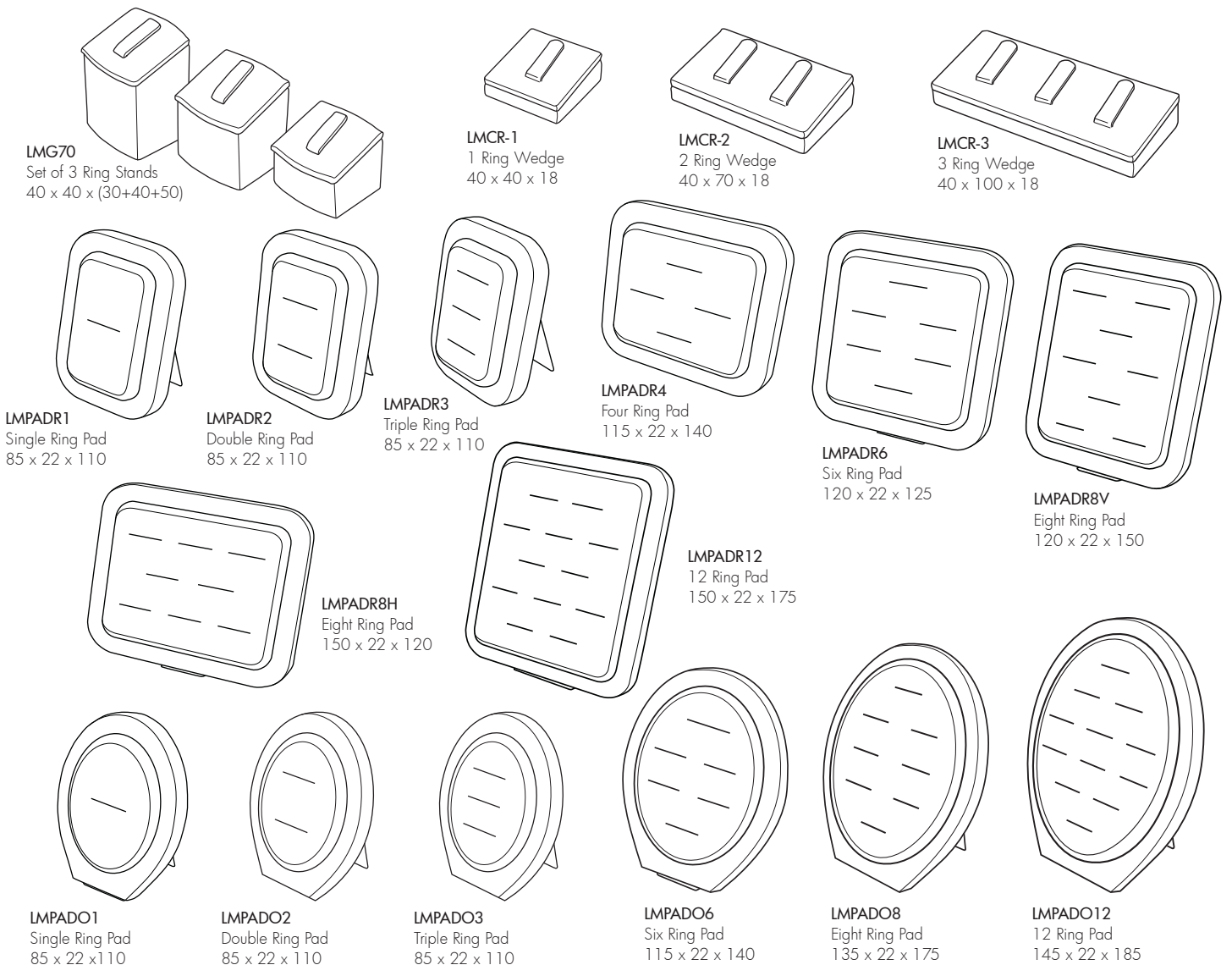
Dimensions: Width x Depth x Height mm

Huge Range of Durable Fabrics to cover the following items

BUSTS



RINGS



Kenneth Ayres (Aust.) Pty. Ltd.

www.ayres.com.au

Ph: (03) 9460 8466

Fax: (03) 9460 5608

Email: sales@ayres.com.au

ACN 005 724 489

ABN 94 005 724 489

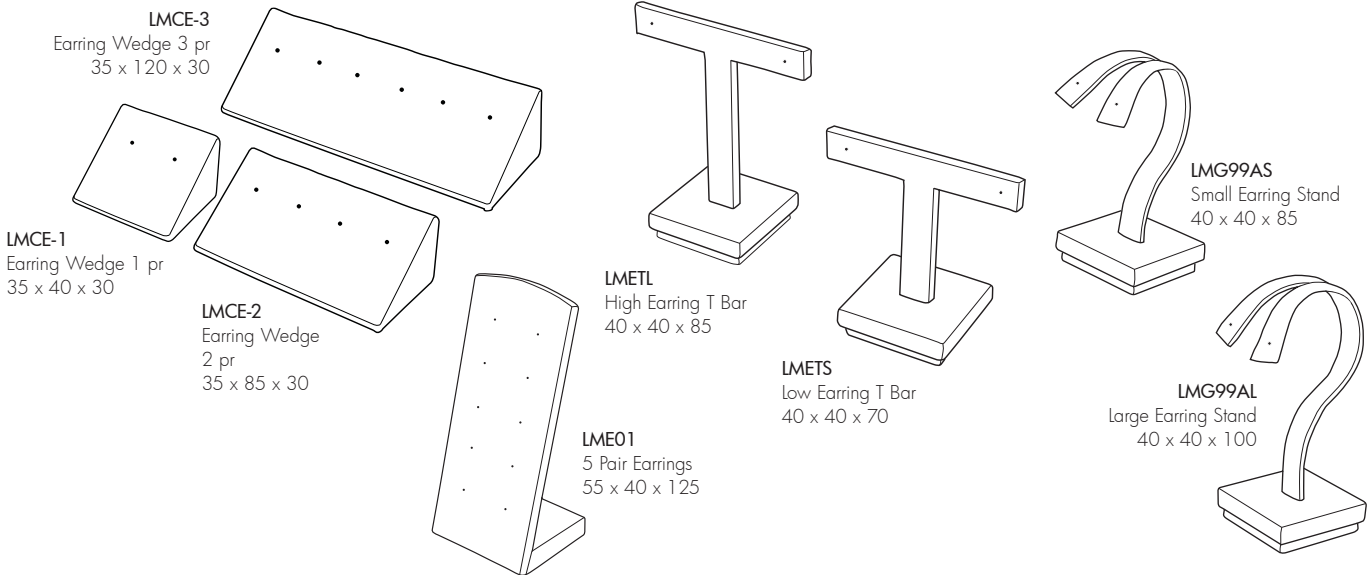
Australian Made Display Range

ayres

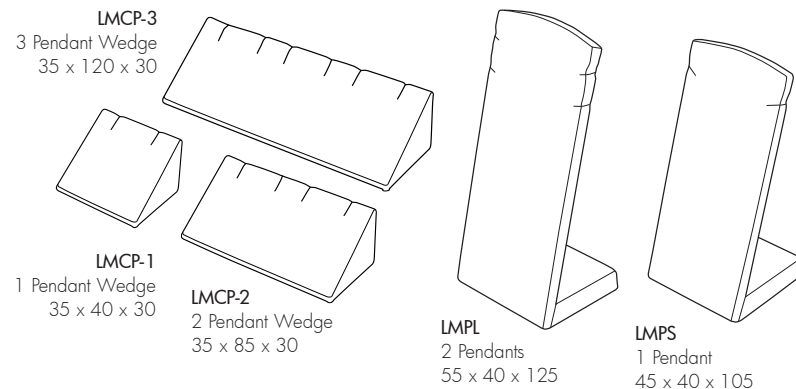
February 2018

Dimensions: Width x Depth x Height mm

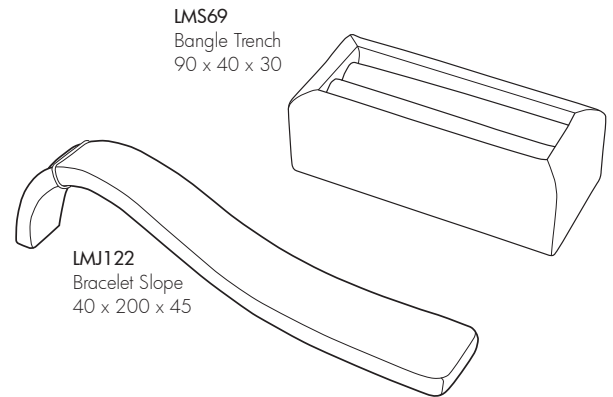
EARRINGS



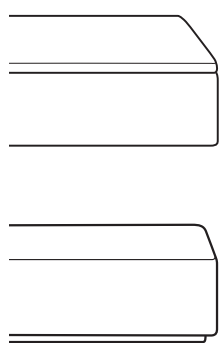
PENDANTS



BRACELET & BANGLE



PLATFORMS & BACK PANELS



Flush Platforms

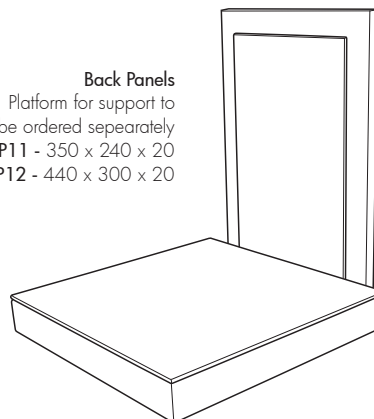
- LMBF 36-36-4 - 360 x 360 x 40
- LMBF 36-23-3 - 360 x 230 x 30
- LMBF 24-14-2 - 240 x 140 x 20
- LMBF 30-30-4 - 300 x 300 x 40
- LMBF 30-20-3 - 300 x 200 x 30
- LMBF 26-23-3 - 260 x 230 x 30
- LMBF 23-16-2 - 230 x 160 x 20
- LMBF 11-11-3 - 110 x 110 x 30

Shadow Line Platforms

- LMBL 18-18 - 180 x 180 x 40
- LMBL 27-27 - 270 x 270 x 40
- LMBL 36-36 - 360 x 360 x 40
- LMBL 18-9 - 180 x 90 x 40
- LMBL 27-13.5 - 270 x 135 x 40
- LMBL 36-18 - 360 x 180 x 40

Back Panels

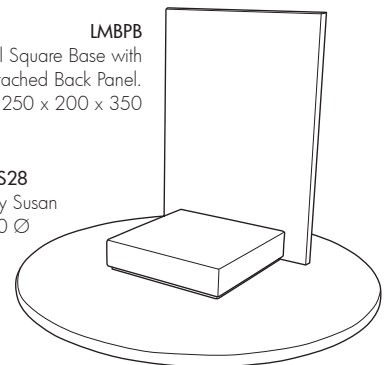
- Platform for support to be ordered separately
- LMBP11 - 350 x 240 x 20
 - LMBP12 - 440 x 300 x 20



LMBPB

- Small Square Base with attached Back Panel.
250 x 200 x 350

- LMS28**
Lazy Susan
500 Ø



Australian Made

Premium Tray Range

ayres

February 2018

ORDER FORM

Contact your local sales representative for fabric colour and style options.

Code	Description	Size (mm)	A\$ Unit Price	Quantity Required
LM A80C TRAY	35 Charm - Pads Included	236 x 271 x 30	\$108.00	
LM A80D TRAY	41 Gemstone - Boxes Included		\$116.00	
LM A80E TRAY	Pin Pad		\$79.00	
LM A80F TRAY	18 Ring - Gold or Silver Rims		\$99.00	
LM A80G TRAY	20 Ring - Gold or Silver Rims		\$99.00	
LM A80H TRAY	28 Ring - Gold or Silver Rims		\$99.00	
LM A80I TRAY	32 Ring - Gold or Silver Rims		\$99.00	
LM A80J TRAY	96 Ring - Foam Pad		\$84.00	
LM A81A TRAY	20 Compartment		\$102.00	
LM A81B TRAY	12 Compartment		\$98.00	
LM A81C TRAY	6 Compartment		\$97.00	
LM A82A TRAY	22 Hook Bracelet - Flat Pad		\$117.00	
LM A82B TRAY	22 Hook Bracelet - Grooves		\$125.00	
LM A85A TRAY	Chain - Flat Pad		338 x 271 x 30	\$125.00
LM A85B TRAY	Chain - Grooves	\$135.00		
LM A85C TRAY	Pin Pad	\$84.00		
LM A85D TRAY	Serving Tray - Ring Trench	\$105.00		
LM A85E TRAY	28 Hook Bracelet - Flat Pad	\$129.00		
LM A85F TRAY	28 Hook Bracelet - Grooves	\$137.61		
LM A85G TRAY	135 Ring - Form Pad	\$90.00		
LM A85H TRAY	56 Charm - Pads Included	\$146.00		
LM A85J TRAY	59 Gem Stone - Boxes Included	\$148.00		
LM A86A TRAY	30 Compartment	\$125.00		
LM A86B TRAY	20 Compartment	\$121.00		
LM A86C TRAY	9 Compartment	\$115.00		

- All prices are exclusive of GST and freight. • Prices subject to change without notice. • Combined orders totalling under \$100 before GST and freight will incur a handling fee of \$20.
- This form is subject to our Terms of Trade: www.ayres.com.au/terms.pdf • This form is subject to our Privacy Policy: www.ayres.com.au/privacy.pdf • Colours can vary.
- Minimum order for the Australian Made display is \$400.

Company _____ Contact Name _____ Date _____

Delivery Address _____

State _____ Postcode _____ Ph: () _____ Fax: () _____

Email _____

Kenneth Ayres (Aust.) Pty. Ltd.

www.ayres.com.au Ph: (03) 9460 8466 Fax: (03) 9460 5608 Email: sales@ayres.com.au ACN 005 724 489 ABN 94 005 724 489

Australian Made Display Range



Dimensions: Width x Depth x Height mm

February 2018

ORDER FORM Contact your local sales representative for fabric colour and style options.

Busts	Size	Price	Quantity
LMEW-1 - X Large Elegant Bust	185 x 145 x 390	\$127.00	
LMEW-2 - Large Elegant Bust	160 x 120 x 310	\$103.00	
LMEW-3 - Medium Elegant Bust	140 x 98 x 260	\$95.00	
LMEW-4 - Small Elegant Bust	106 x 87 x 188	\$72.00	
LMEW-5 - X Small Elegant Bust	85 x 45 x 130	\$48.00	
LMG19L - Large Counter Bust	175 x 180 x 155	\$126.00	
LMG19M - Medium Counter Bust	160 x 180 x 140	\$120.00	
LMS78M - Low Medium Bust	190 x 185 x 100	\$105.00	
LMS78S - Low Small Bust	150 x 155 x 85	\$100.00	

Rings	Size	Price	Quantity
LMG70 - Set of 3 Ring Stands	40 x 40 x (30+40+50)	\$133.00	
LMCR-1 - 1 Ring Wedge	40 x 40 x 18	\$31.00	
LMCR-2 - 2 Ring Wedge	40 x 70 x 18	\$34.00	
LMCR-3 - 3 Ring Wedge	40 x 100 x 18	\$37.00	
LMPADR1 - 1 Ring Pad	75 x 22 x 100	\$79.00	
LMPADR2 - 2 Ring Pad	75 x 22 x 100	\$79.00	
LMPADR3 - 3 Ring Pad	75 x 22 x 100	\$79.00	
LMPADR4 - 4 Ring Pad	120 x 22 x 105	\$83.00	
LMPADR6 - 6 Ring Pad	120 x 22 x 125	\$87.00	
LMPADR8V - 8 Ring Pad	120 x 22 x 150	\$91.00	
LMPADR8H - 8 Ring Pad	150 x 22 x 120	\$91.00	
LMPADR12 - 12 Ring Pad	150 x 22 x 175	\$101.00	
LMPADO1 - 1 Ring Pad	85 x 22 x 110	\$79.00	
LMPADO2 - 2 Ring Pad	85 x 22 x 110	\$79.00	
LMPADO3 - 3 Ring Pad	85 x 22 x 110	\$79.00	
LMPADO6 - 6 Ring Pad	115 x 22 x 140	\$87.00	
LMPADO8 - 8 Ring Pad	135 x 22 x 175	\$91.00	
LMPADO12 - 12 Ring Pad	145 x 22 x 185	\$101.00	

Bracelets & Bangles	Size	Price	Quantity
LMJ122 - Bracelet Slope	40 x 200 x 45	\$25.74	
LMS69 - Bangle Trench	90 x 40 x 30	\$42.90	

- All prices are exclusive of GST and freight.
- Prices subject to change without notice.
- Combined orders totalling under \$100 before GST and freight will incur a handling fee of \$20.
- This form is subject to our Terms of Trade: www.ayres.com.au/terms.pdf
- This form is subject to our Privacy Policy: www.ayres.com.au/privacy.pdf
- Colours can vary.
- Minimum order for the Australian Made display is \$400.

Earrings	Size	Price	Quantity
LME01 - 5 Pair Earring Stand	55 x 40 x 125	\$42.00	
LMCE-1 - Earring Wedge 1 Pair	35 x 40 x 30	\$28.00	
LMCE-2 - Earring Wedge 2 Pair	35 x 85 x 30	\$30.00	
LMCE-3 - Earring Wedge 3 Pair	35 x 120 x 30	\$32.00	
LMETL - High Earring T Bar	40 x 40 x 85	\$42.00	
LMETS - Low Earring T Bar	40 x 40 x 70	\$41.00	
LMG99AL - Large Earring Stand	40 x 40 x 100	\$43.00	
LMG99AS - Small Earring Stand	40 x 40 x 85	\$42.00	

Pendants	Size	Price	Quantity
LMPL - 2 Pendant Stand	55 x 40 x 125	\$40.00	
LMPS - 1 Pendant Stand	45 x 40 x 105	\$38.00	
LMCP-1 - 1 Pendant Wedge	35 x 40 x 30	\$28.00	
LMCP-2 - 2 Pendant Wedge	35 x 85 x 30	\$30.00	
LMCP-3 - 3 Pendant Wedge	35 x 120 x 30	\$32.00	

Platforms and Back Panels	Size	Price	Quantity
LMBL 18-18 - Shadow Line Platform	180 x 180 x 40	\$45.00	
LMBL 27-27 - Shadow Line Platform	270 x 270 x 40	\$56.00	
LMBL 36-36 - Shadow Line Platform	360 x 360 x 40	\$80.00	
LMBL 18-9 - Shadow Line Platform	180 x 90 x 40	\$37.00	
LMBL 27-13.5 - Shadow Line Platform	270 x 135 x 40	\$47.00	
LMBL 36-18 - Shadow Line Platform	360 x 180 x 40	\$64.00	
LMBL - Set of 9 Shadow Line (3 Square + 6 Rectangle Platforms)	720 x 360 x 120	\$473.00	
LMBPB - Small Shadow Line Platform with attached Back Panel	250 x 200 x 350	\$79.45	
LMBF 36-36-4 - Flush Platform	360 x 360 x 40	\$80.08	
LMBF 36-23-3 - Flush Platform	360 x 230 x 30	\$70.84	
LMBF 24-14-2 - Flush Platform	240 x 140 x 20	\$48.40	
LMBF 30-30-4 - Flush Platform	300 x 300 x 40	\$72.60	
LMBF 30-20-3 - Flush Platform	300 x 200 x 30	\$52.91	
LMBF 26-23-3 - Flush Platform	260 x 230 x 30	\$52.19	
LMBF 23-16-2 - Flush Platform	230 x 160 x 20	\$48.40	
LMBF 11-11-3 - Flush Platform	110 x 110 x 30	\$33.27	
LMBP11 - Back Panel - requires platform for support	350 x 240 x 20	\$33.27	
LMBP12 - Back Panel - requires platform for support	440 x 300 x 20	\$42.35	
LMS28 - Lazy Susan	500 Ø	\$139.15	

Company _____ Contact Name _____ Date _____

Delivery Address _____

State _____ Postcode _____ Ph: () _____ Fax: () _____

Email _____

Kenneth Ayres (Aust.) Pty. Ltd.

www.ayres.com.au Ph: (03) 9460 8466 Fax: (03) 9460 5608 Email: sales@ayres.com.au ACN 005 724 489 ABN 94 005 724 489

Australian Made Display FAQ

What is the advantage of this display?

1. Durable industrial strength fabrics that have been designed to last. This fabric has been designed to be used in public places like Nightclubs, Café's, Hospitals, seating and most other places that have durable decorative leatherettes.
2. Fabrics can be purchased by meters instead of rolls, this allows us to expand the style and colour range. Also significantly drops the minimum order requirements.
3. We can offer hundreds of colour and style combinations.
4. Fabric has ISO 14001 certification.
5. Integrates well with imported display.
6. Flexibility, use it for areas that require durability or make a statement with its individual look.
7. Made in Australia, minimum waiting times, no surprises and cost effective.

It seems expensive?

1. At first glance it may appear to be expensive, but that is only because it is compared to imported product. Imported product comes in limited styles and colours and has to be purchased in high volumes. There is no direct comparison, Ayres are the only local manufacturer of jewellery display in Australia. We have not designed this product to compete against imported product. It has been designed to offer customers individuality, flexibility and long lasting durability. This is something that cannot be offered by cheaper products, with the large range of combinations available and low minimum order quantities, it is in fact cheaper to have it made here in Australia.
2. We cannot control the cost of better materials and local labour.

Why not get it made overseas at a cheaper price?

1. Overseas products are cheap because of cheap labour and high volume. They will not make product that requires only a few meters of fabric. Even if they do make low volume the cost of freight, duty, customs and sometimes exchange rate quickly make it more expensive.
2. Will they use an industrial strength fabric?
3. Is the quality of the fabric certified?
4. Long waiting and sampling times.

What guarantee do we offer?

1. As with all of our Australian made products we offer 12 month warranty on workmanship.
2. Over the last 40 years of Australian made product we have had very little go wrong. We are proud of our quality and workmanship and do our very best to use materials that last.
3. We do not turn our backs on our customers after the normal warranty period. If there are problems we are still here and happy to discuss and if needed, rectify the issue.

What is the Minimum Order Quantity?

The minimum order is based on value. Please note the below spend and colour combinations are based on each display item only having one style or colour. For more than one colour or style on the one item we will have to discuss with our design team and quote separately.

- a. \$400 spend for a single style or colour combination.
- b. \$800 spend for two style or colour combinations.
- c. \$1000 spend for three style or colour combinations.
- d. Above three colour or style combinations we will quote separately.

What is the turnaround time?

Turnaround is usually 2 – 6 weeks after order approval, but can be longer during busy times of the year.

Can we get samples?

Yes, but there is a sample fee of \$400 per style or colour, we will not make more than \$400 worth of samples. This fee will be deducted from the order after approval. Only one colour or style will be deducted, unless you meet the MOQ style or colour combinations above.

Can you get custom size blocks or base boards?

No, we have limited the range to make it cost effective.

Can we buy the fabric?

Yes, minimum of 1 meter per style or colour.

- a. 5+ meters = \$70 per meter plus freight
- b. 4 meters = \$80 per meter plus freight
- c. 3 meters = \$90 per meter plus freight
- d. 2 meters = \$100 per meter plus freight
- e. 1 meter = \$110 per meter plus freight

Can we buy pieces at a later stage?

Yes, but the minimum order quantities apply.

Do you offer discounts?

Yes. Spend \$5000+ get 10% discount.

