

Presentation & Medallion Packaging

CPRN Range

Covered in high quality leather look paper.



CPRN16



CPRN21



CPRN29

C Range

Covered in high quality leatherette fabric.



CD49Z1



CD49Z1



C28Z1

Presentation & Medallion Packaging

1. Choose Box Style, Size, Colour and Quantity



CPRN Range

Code	External Size Width x Depth x Height mm	A\$ Unit - Base Insert and Print included.				Please Indicate Quantity							
						WINE White Inner	GREEN White Inner	NAVY White Inner	WHITE White Inner	BLACK White Inner	BLACK Black Inner	ROYAL White Inner	RED White Inner
		**24-249	250-499	500-999	1000+								
CPRN08	65 x 130 x 27	4.84	4.36	4.12	3.87								
CPRN16	180 x 65 x 32	5.22	4.71	4.44	4.18								
CPRN21*	85 x 90 x 32	4.55	4.01	3.86	3.63								
CPRN24*	63 x 68 x 25	3.63	3.27	3.08	2.91								
CPRN29	45 x 50 x 30	2.83	2.55	2.41	2.26								
CPRN75	110 x 157 x 30	6.36	5.74	5.41	5.09								
CPRN76	120 x 187 x 30	7.50	6.76	6.37	6.00								
CPRN77	170 x 170 x 35	9.78	8.80	8.31	7.86								
CPRN78	156 x 110 x 32	6.48	5.82	5.50	5.18								
CPRN79	190 x 190 x 32	12.85	11.57	10.92	10.29								

*Standard vacuum forms for Medallions are available for these boxes, see "choose vac form type" on next page.

**Additional set-up fees will apply for smaller quantities.



C Range

Code	External Size Width x Depth x Height mm	A\$ Unit - Base Insert and Print included.			Please Indicate Quantity	
					BLACK White Inner	NAVY White Inner
		**24-499	500-999	1000+		
C18ZI*	66 x 66 x 22	5.20	4.68	4.16		
CD49ZI*	74 x 87 x 23	5.78	5.20	4.62		
C28ZI*	90 x 90 x 28	7.09	6.39	5.69		
C33ZI	166 x 84 x 28	5.69	5.12	4.55		
C35ZI	154 x 115 x 22	8.19	7.40	6.59		
C37ZI	199 x 108 x 26	9.41	8.49	7.54		
CD48ZI	260 x 145 x 30	20.37	18.35	14.95		

*Standard vacuum forms for Medallions are available for these boxes, see "choose vac form type" on next page.

**Additional set-up fees will apply for smaller quantities.



2. Choose Base Insert Style and Colour

Choose Base Insert Colour

Vacuum formed inserts can be produced in the following colours. Material is Flock Coated PVC.

<input type="checkbox"/> Dark Green	<input type="checkbox"/> Navy	<input type="checkbox"/> Royal Blue	<input type="checkbox"/> Burgundy	<input type="checkbox"/> White	<input type="checkbox"/> Cream	<input type="checkbox"/> Black	<input type="checkbox"/> Red
-------------------------------------	-------------------------------	-------------------------------------	-----------------------------------	--------------------------------	--------------------------------	--------------------------------	------------------------------



Choose Vac Form Type

CPRN Standard Vacuum forms

- CPRN21- available in standard vacuum forms for Medallion diameters: 48, 57, 60, 65 and 70mm.
- CPRN24- available in standard vacuum forms for Medallion diameters: 35, 38, 40, 42, 45, 48, and 51mm.

Please Indicate Size: _____

C Standard Vacuum forms

- C18Z1- available in standard vacuum forms for Medallion diameters: 32, 35, 40, 45, 48 and 51.
- CD49Z1- available in standard vacuum forms for Medallion diameters: 48, 51, 54, 57, 57.5 and 63.
- C28Z1- available in standard vacuum forms for Medallion diameters: 51, 55, 57, 60, 65, 70.

Please Indicate Size: _____

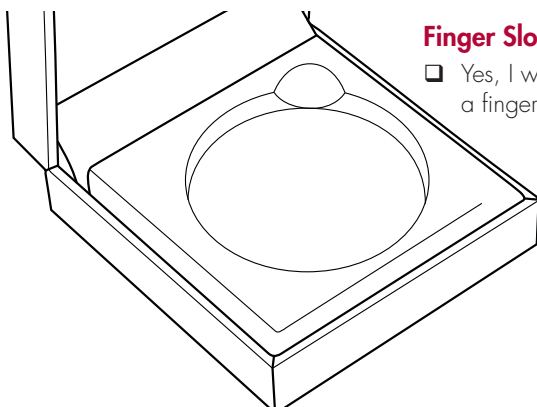
Customised Vacuum forms

- Yes, I will send my product samples for Vac form production.
An Ayres sales representative will contact you for further details. (Vac. form charge of \$450.00)



Optional Step or Finger Slot

Customised Vacuum formed inserts can have an optional step or finger slot for easy removal from case. Can only be used for round objects.



Finger Slot

- Yes, I would like a finger slot.



Step

- Yes, I would like a step.

3. Printing

Printing - Interior of Case

Minimum quantity of 96 assorted.

- Yes I want printing on interior of case.
 - Use Existing Print Block
 - New Print Block Required (Block charge of \$100 applies).
Preferred artwork format is Vector "ai" or "eps" file, other formats may incur extra charges.

Choose Colour:

<input type="checkbox"/> Gold	<input type="checkbox"/> Silver	<input type="checkbox"/> Black	<input type="checkbox"/> White
<input type="text"/> Other (Indicate colour)			

Print Details: _____

Printing - Top of Box

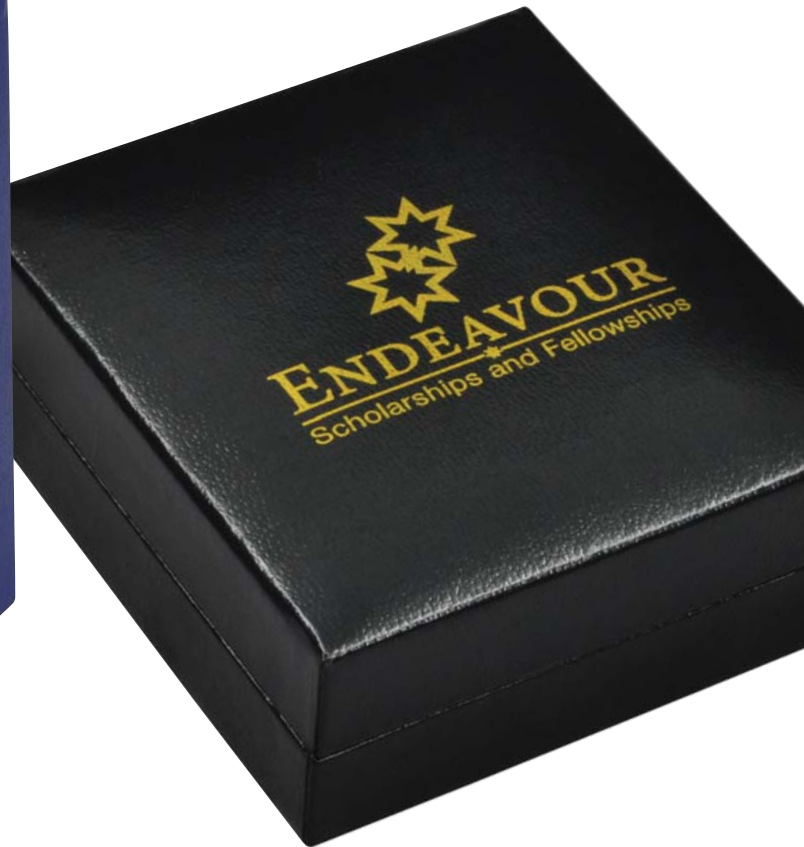
Minimum quantity of 96 assorted.

- Yes, I want printing on top of Box (if second print add \$0.60 per box).
 - Use Existing Print Block
 - New Print Block Required (Block charge of \$100 applies).
Preferred artwork format is Vector "ai" or "eps" file, other formats may incur extra charges.

Choose Colour:

<input type="checkbox"/> Gold	<input type="checkbox"/> Silver	<input type="checkbox"/> Black	<input type="checkbox"/> White
<input type="text"/> Other (Indicate colour)			

Print Details: _____



- All prices are exclusive of GST and freight. • Prices subject to change without notice. • Combined orders totalling under \$100 before GST and freight will incur a handling fee of \$20.
- This form is subject to our Terms of Trade: www.ayres.com.au/terms.pdf • This form is subject to our Privacy Policy: www.ayres.com.au/privacy.pdf • Colours can vary.
- We will make every effort to meet delivery dates, but do not accept any cost associated to late delivery. • Items packed in our standard packaging, unless otherwise stated.

Company _____ Contact Name _____ Date _____

Delivery Address _____

State _____ Postcode _____ Ph: () _____ Fax: () _____

Email _____